

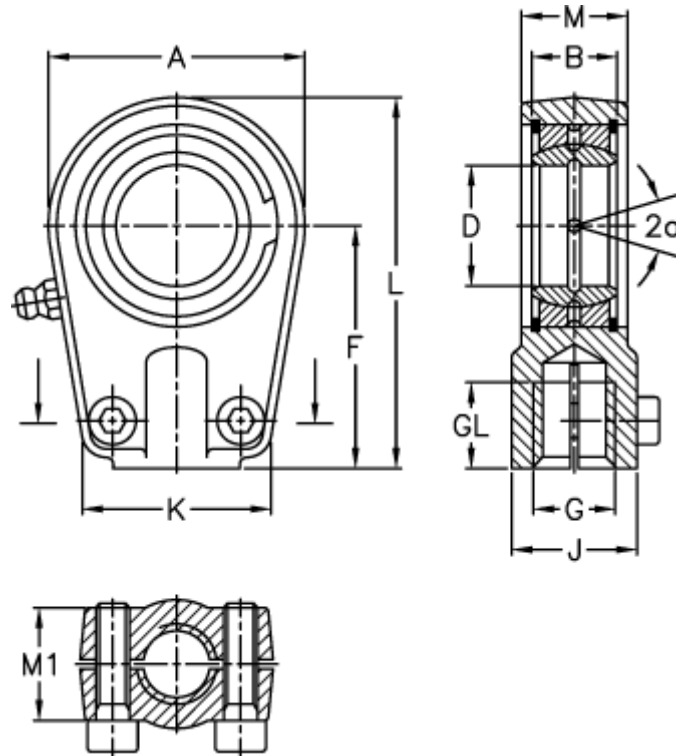
Data Sheet



Article number: 03553110

Description: Fluro hydraulic rod end FPR 110U

Measures



A	= 265	J	= 152
a (degrees)	= 6	K	= 220
B	= 70	L	= 408.2
D	= 110	M	= 80
Dynamic load C (kN)	= 655	M1	= 74
F	= 265	Static load C0 (kN)	= 1700
g	= M120x3	Torque (N m)	= 710
GL	= 125	Weight	= 39200